



knürr
World of control rooms

CONTROL ROOM SOLUTIONS BOOK

2026 / EN-V1

PROFESSIONAL DISPLAY MOUNTS

239 to 244



ACC20026



CIC20034

Knürr Elicon® VideoWall Structure 2x2, free-standing

- Modular and expandable VideoWall system
 - Simple assembly on site due to the Factory pre-assembled components
 - Stable and flexible mounting of the Large screens on the monitor crossbar
 - Telescopic display mounts guarantee best maintenance access
 - Completely concealed cabling with toolless removable covers
- **Material**
 - Side pieces: Extruded aluminium profiles and aluminium head piece, foot stabilizer made of die-cast aluminium, side covers made of sheet steel, powder-coated
 - Crossbars: extruded aluminium profile with sheet steel carrier, powder-coated
 - Monitor holder: sheet steel, powder-coated
 - **Finish**
 - VideoWall base structure completely in RAL 9006, whitealuminium
 - Display mounts: black
- **Dimensions**
 - Total width appr. 2100mm
 - Clear width 2000mm
 - Side panel height 2500mm, depth 1115mm, width 50mm
 - **Note**
 - Further dimensions and configurations on request
 - **Supply schedule**
 - 2 side pieces with integrated vertical cable routing and leg stabilizer front and rear for highest stability
 - 2 monitor crossbars with integrated cable guide for fastening the large screens
 - 4 Monitor holder telescopic, for monitors up to VESA 800x400, respectively 50 kg
 - 1 Perforated sheet wall H550 mm front
 - Mounting material
 - **How supplied**
 - Pre-assembled units



ACC20054

W	H	Order no.	UP
2100	2500	Knürr Elicon® VideoWall Structure	04.501.099.7 1 unit

Knürr Elicon® VideoWall electrically height adjustable

- Height adjustable VideoWall system, for 1 or 2 large screen monitors.
 - The height adjustment (600mm) is made directly together with the connected console.
 - Easy assembly on site due to pre-assembled components.
 - Stable and flexible attachment of the large screens to the monitor crossbars.
 - Telescopic display mounts guarantee best maintenance access.
- **Material**
 - Side panels: Extruded aluminium profiles and aluminium head section, die-cast aluminium foot stabilizer, powder-coated sheet steel side covers.
 - Crossbars: Extruded aluminium profile with powder-coated sheet steel support.
 - Monitor holder: sheet steel, powder-coated.
 - **Surface**
 - VideoWall base frame complete in RAL9006, White Aluminium
 - Monitor holder: black
 - **Supply schedule**
 - 2 Side elements H2500, free-standing version
 - 1 Monitor traverse, electrically height adjustable
 - 2 perforated panels at the lower front side
 - 4 perforated panels at the rear side
 - **Version for 1 Monitor (W1000):**
 - 1 telescopic monitor holder for monitors with VESA 800x400 or max. 50kg
 - **Version for 2 Monitors (W2000):**
 - 2 telescopic monitor holders for monitors with VESA 800x400 or max. 50kg
 - **How supplied**
 - Pre-assembled modules



W	H	Order no.	UP
1100	2500	HA-Videowall for 1 monitor	04.501.097.7 1 unit
2100	2500	HA-Videowall for 2 monitors	04.501.098.7 1 unit

Knürr Elicon® VideoWall Side Piece

- Design harmonized with Knürr Ergocon® and Knürr Elicon® VC / VC-E consoles.
- Large-volume cable management with much space and best accessibility
- Toolless removable covers, continuous on the outside and segmented on the inner side and in the Interlinking area.

Type 1:

- Long leg stabilizer (front and rear), for free-standing installation in the room

Type 2:

- Leg stabilizer at the front, for installation in front of a Wall (incl. 1 wall mounting bracket)

Type 3:

- Without leg stabilizer, for installation in front of a Wall (incl. 2 wall mounting brackets)

Material

- Side pieces: Extruded aluminium profiles and aluminium head piece, foot stabilizer made of die-cast aluminium, side covers made of sheet steel, powder-coated

Finish

- Side pieces complete in RAL 9006, whitealuminum

Dimensions

- Depth: Type 1: 1115 mm, Type 2: 800 mm, Type 3: 330 mm
- Width: 50 mm
- Height: depending on version, 2500 mm or 3000 mm

Supply schedule

- 1 Side panel, with integrated vertical cable routing

How supplied

- Pre-assembled

Note

- For versions with wall mounting bracket are the fixing accessories on the wall not included in delivery scope



W	H	D	End- Side Piece H2500	Order no.	UP
50	2500	1115	free-standing (Type 1)	04.501.100.7	1 unit
50	2500	800	leg stabilizer at the front (Type 2)	04.501.101.7	1 unit
50	2500	330	without leg stabilizer (Type 3)	04.501.102.7	1 unit

W	H	D	End- Side Piece H3000	Order no.	UP
50	3000	1115	free-standing (Type 1)	04.501.110.7	1 unit
50	3000	800	leg stabilizer at the front (Type 2)	04.501.111.7	1 unit
50	3000	330	without leg stabilizer (Type 3)	04.501.112.7	1 unit

W	H	D	Connection Side Piece H2500	Order no.	UP
50	2500	1115	free-standing (Type 1)	04.501.105.7	1 unit
50	2500	800	leg stabilizer at the front (Type 2)	04.501.106.7	1 unit
50	2500	330	without leg stabilizer (Type 3)	04.501.107.7	1 unit

W	H	D	Connection Side Piece H3000	Order no.	UP
50	3000	1115	free-standing (Type 1)	04.501.115.7	1 unit
50	3000	800	leg stabilizer at the front (Type 2)	04.501.116.7	1 unit
50	3000	330	without leg stabilizer (Type 3)	04.501.117.7	1 unit



We also offer LCD-screens for 24/7 use in control rooms as well as professional video control hard- and software in corporation with our well known partners.

Please let us know your requirements!

Dimensions in mm: W = Width
 H = Height
 D = Depth
 h = Installation height
 d = Usable depth
 L = Length
 HEA = electronically height adjustable
 HA = height-adjustable
 UP = Unit of packaging
 kg = Weight

Conversion: 1 inch = 25,4 mm
 Replace „x“ with the number of your color choice

Knürr Elicon® VideoWall Monitor traverse

- Sturdy traverse made of extruded aluminium profile in combination with a 3mm sheet steel cross beam
 - Large-volume cable management with plenty of space for cables, power supplies, thin clients or switches
 - Cable routing already integrated in the traverse
 - With integrated T-slots for mounting Knürr DI-STRIP® socket strips and accessories
- **Material**
 - Cross beam : extruded aluminium profile
 - Monitor traverse and mounting bracket: sheet steel
 - **Finish**
 - Complete in RAL 9006, white aluminium
- **Dimensions**
 - Clear width between the side pieces: 1000mm or 2000mm
 - **Supply schedule**
 - 1 monitor traverse, with integrated horizontal cable routing
 - **How supplied**
 - Pre-assembled
 - **Note**
 - To stabilise the wall, either a cross beam or a perforated sheet metal wall is required in the lower area.



ACC20057



ACC20056

W	H	D	Order no.	UP
1000		Monitor traverse W1000	04.501.120.7	1 unit
2000		Monitor traverse W2000	04.501.125.7	1 unit

Knürr Elicon® VideoWall Lower Cross beam

- Sturdy cross beam made of extruded aluminium profile for transverse reinforcement of the base frame, e.g. if only one monitor cross member is used.
 - With integrated T-slots for mounting Knürr DI-STRIP® socket strips and other accessories.
- **Material**
 - Cross beam : extruded aluminium profile
 - Mounting bracket: sheet steel
 - **Finish**
 - Complete in RAL 9006, white aluminium
- **Dimensions**
 - Clear width between the side pieces: 1000mm or 2000mm
 - **Supply schedule**
 - 1 lower cross beam with mounting material
 - **How supplied**
 - Pre-assembled
 - **Note**
 - To stabilise the wall, either a cross beam or a perforated sheet metal wall is required in the lower area.



ACC20058



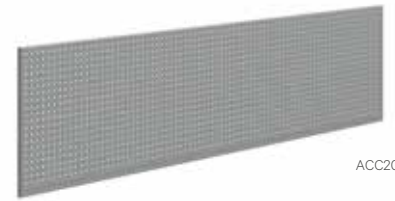
ACC20056

W	H	D	Order no.	UP
1000		Lower cross beam W1000	04.501.140.7	1 unit
2000		Lower cross beam W2000	04.501.145.7	1 unit

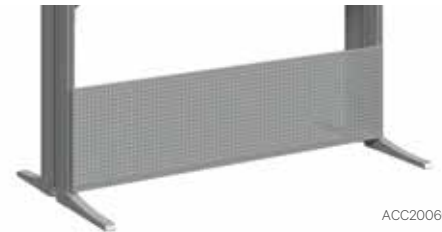
Knürr Elicon® VideoWall Perforated sheet panel

- For installation below the monitors on the front side or as a complete cladding on the rear side (for freestanding versions).
- Simple assembly due to clever suspension mechanism
- Several rear panels can be easily mounted on top of each other
- **Material**
 - Sheet steel, powder-coated
- **Finish**
 - RAL 9006, white aluminium
- **Supply schedule**
 - 1 perforated panel with mounting material
- **Note**
 - To stabilise the wall, either a cross beam or a perforated sheet metal wall is required in the lower area.

W	H	D	Order no.	UP	
1000			Perforated sheet panel W1000 H550	04.501.150.7	1 unit
2000			Perforated sheet panel W2000 H550	04.501.155.7	1 unit



ACC20059



ACC20060

Knürr Elicon® VideoWall Telescopic Monitor Holder

- Suitable for Displays up to 50kg
- VESA mounting 100x100 - 800x400 mm
- Tool-less design for comfortable discontinuation
- Push-out holder for simple maintenance access
- Fast and easy alignment of the displays
- **Material**
 - Sheet steel, powder-coated
- **Finish**
 - Schwarz, RAL 9011
- **Supply schedule**
 - 1 set of monitor holder
 - Mounting material
- **How supplied**
 - Pre-assembled set

Order no.	UP	
VideoWall Telescopic Monitor Holder	04.501.018.9	1 Set (for 1 monitor)



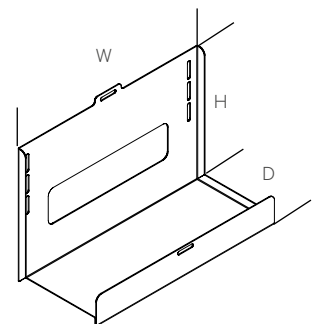
ACC20055

Knürr Thin Client

Thin client mounting bracket:

- Mounted on the rear of the Knürr monitor traverse for short cable runs
- With eyelets for optional retaining straps (not included)

W	H	D	Order no.	UP	
330	234	150	Thin Client mounting bracket	04.412.195.8	1 unit



SYN20200

Dimensions in mm: W = Width
H = Height
D = Depth
h = Installation height
d = Usable depth
L = Length
HEA = electronically height adjustable
HA = height-adjustable
UP = Unit of packaging
kg = Weight

Conversion: 1 inch = 25,4 mm
Replace „x“ with the number of your color choice

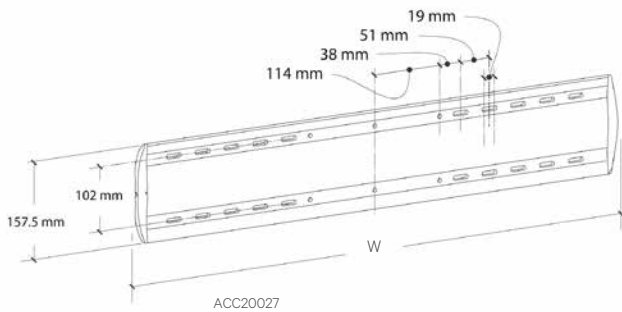
Wall Mounting Bracket Tiltable

- For large flatscreens up to VESA 600x400 (XL-version VESA 800x400)
 - Easy mounting
 - More viewing comfort – effortless tilting, prevents bothersome reflections
 - Security lock against unauthorized flat screen removal
 - Up to 79 kg load capacity
- **How supplied**
 - Flat-packed kit
 - **Dimensions**
 - Tilt angle +15° / -5°
 - Wall distance 89 mm
 - **Material**
 - Aluminum extrusion rail
 - Sheet steel mounting bracket
 - Plastic caps
 - **Finish**
 - Metal parts – powder-coated, RAL 9006, white aluminum

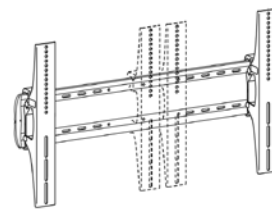


ACC20026

W	H	D		Order-no.	UP
704	157,5	89	Wall Mounting Bracket, tilttable	01.316.270.0	1 unit
900	157,5	89	Wall Mounting Bracket, tilttable XL	01.316.271.0	1 unit



ACC20027



Monitor Ceiling Mount (200 cm)

- Robust and adjustable monitor ceiling mount. Securely fits LCD-, LED- and Plasma displays
 - Power and signal cable run hidden inside the mounting tube
 - Mounting tube rotatable for ideal monitor orientation
 - For monitors from 40"
 - Load rating up to 60 kg
 - Inclination adjustable 0° - 11°
 - VESA
 - 400x200, 600x200
 - 300x300
 - 400x400, 600x400
- **Material/Finish**
 - Sheet-steel, welded
 - Powder-coated RAL 7021 black-grey
 - **Supply Schedule**
 - **Set, consists of**
 - ceiling plate
 - mounting tube (2000 mm)
 - Monitor adapter
 - **How Supplied**
 - Set
 - **Note**
 - Additional mounting tube length available on request (1000mm and 3000mm)



ACC20028

Type	Order no.	UP
Monitor Ceiling Mount	01.316.262.9	1 unit

WARRANTY & MAINTENANCE PACKAGES

ESSENTIAL



SCOPE OF SERVICES:

- **24/7 service hotline** – available at all times for rapid support from our experts
- **Reliable fault rectification** – service call-out within a maximum of 10 working days
- **Replacement parts included** – no additional material costs in the event of a fault

Knürr® Warranty – ESSENTIAL

Description	Order-nr.
Warranty 24 months (2Y)	94.000.024.0
Warranty 36 months (3Y)	94.000.036.0
Warranty 48 months (4Y)	94.000.048.0
Warranty 60 months (5Y)	94.000.060.0

Knürr® proactive on-site maintenance

Description	Order-nr.
Maintenance	94.001.000.0
Maintenance with DGUV/V3	94.001.000.0000001
Maintenance with Thermoscan	94.001.000.0000002

*In accordance with Knürr warranty terms and conditions

PREMIUM



SCOPE OF SERVICES:

- **24/7 service hotline** – available at all times for rapid support from our experts
- **Reliable fault rectification** – service call-out within a maximum of 5 working days
- **Replacement parts included** – no additional material costs in the event of a fault
- **On-site repairs included** – travel costs and labour costs are already included in the service package

Knürr® Warranty – PREMIUM

Description	Order-nr.
Warranty 24 months (2Y)	94.000.024.1
Warranty 36 months (3Y)	94.000.036.1
Warranty 48 months (4Y)	94.000.048.1
Warranty 60 months (5Y)	94.000.060.1
Warranty 72 months (6Y)	94.000.072.1
Warranty 84 months (7Y)	94.000.084.1
Warranty 96 months (8Y)	94.000.096.1
Warranty 108 months (9Y)	94.000.108.1
Warranty 120 months (10Y)	94.000.120.1

Ergonomically designed products and solutions from a single source

Knürr GmbH is one of the world's leading specialists for innovative solutions in safety- and performance-critical control centres and command rooms. For more than 50 years, the company, headquartered in Germany, has been delivering tailor-made and fully integrated workspace systems designed for demanding 24/7 operations.

Learn more about Knürr solutions and services at www.knuerr.com

Knürr GmbH
 Mariakirchener Straße 38
 94424 Arnstorf
 Germany
 T +49 8723 28 0
 F +49 8723 28 138
 info@knuerr.com
 www.knuerr.com



knürr
World of control rooms

[knuerr.com](https://www.knuerr.com) | Knürr GmbH, Mariakirchener Straße 38, 94424 Arnstorf, Germany ID-Nr. DE 363797731

© 2026 Knürr GmbH. All rights reserved. Knürr® and the Knürr logo are trademarks or registered trademarks of Knürr GmbH. All other names and logos referred to are trade names, trademarks or registered trademarks of their respective owners. While every precaution has been taken to ensure accuracy and completeness herein, Knürr GmbH assumes no responsibility, and disclaims all liability, for damages resulting from use of this information or for any errors or omissions. Specifications are subject to change without notice.

09.991.116.0.000001 • EN • #10065 Version 19.03.2026