



**knürr**  
World of control rooms

# CONTROL ROOM SOLUTIONS BOOK

2026 / EN-V1

# DISPLAY MOUNTS FOR CONSOLES

245 to 250



## Monitor Mounts - Functional Rails

Flat screen monitors are the main interface in today's control rooms between operator and system. According to ergonomic principles, monitors should always be easily adjustable towards the user and allow for quick change in order to reduce maintenance time to a minimum.

Dacobas Advanced Control Room Consoles can be equipped with the following monitor mounts while keeping all flexibility:

### • Functional Rail on Dacobas Profile Extensions

- Large range of accessories like monitor arms, lighting, and much more make the Functional Rail a versatile platform. Mounts between two vertical profiles and a perforated rear panel.

### • Functional Rail Add on Monitor Level

- Besides the various options of the standard Functional Rail, this version also offers an electric height adjustment in option. This allows a better view on videowalls behind the console.

- For additional information see also our catalogue "Ergonomic Flat Screen Supports".

### • Surface

- RAL 9006 White aluminum



DAA20044



DAA20043



DAA20045

W	H	Type	Model	Order-no.	UP
570		Duo	Knürr Dacobas®	01.316.280.9	1 unit
630		Duo	Knürr Dacobas®	01.315.170.9	1 unit
830		Duo	Knürr Dacobas®	01.315.171.9	1 unit
1030		Duo	Knürr Dacobas®	01.315.172.9	1 unit
1140		Duo	Knürr Dacobas®	01.316.282.9	1 unit
1200		Duo	Knürr Dacobas®	01.316.283.9	1 unit
1230		Duo	Knürr Dacobas®	01.315.173.9	1 unit
1430		Duo	Knürr Dacobas®	01.315.174.9	1 unit
1600		Duo	Knürr Dacobas®	01.316.284.9	1 unit
1630		Duo	Knürr Dacobas®	01.315.175.9	1 unit
1710		Duo	Knürr Dacobas®	01.316.285.9	1 unit
1830		Duo	Knürr Dacobas®	01.315.176.9	1 unit
2030		Duo	Knürr Dacobas®	01.315.177.9	1 unit
45° - corner		Duo	Knürr Dacobas®	01.315.180.9	1 unit
90° - wall corner		Duo	Knürr Dacobas®	01.315.181.9	1 unit
90° - trapezoid corner		Duo	Knürr Dacobas®	01.315.182.9	1 unit
22.5°		Duo	Knürr Cicon	01.315.185.9	1 unit
800		Duo	Knürr Elicon®	04.208.210.9	1 unit
1000		Duo	Knürr Elicon®	04.208.211.9	1 unit
1200		Duo	Knürr Elicon®	04.208.212.9	1 unit
1400		Duo	Knürr Elicon®	04.208.213.9	1 unit
1600		Duo	Knürr Elicon®	04.208.214.9	1 unit
1800		Duo	Knürr Elicon®	04.208.215.9	1 unit
2000		Duo	Knürr Elicon®	04.208.216.9	1 unit
1600			Monitor Level, circular	93.200.317.3	1 unit
1600			Monitor Level, circular, height adjustable	93.200.314.3	1 unit

**Dimensions in mm:** W = Width  
 H = Height  
 D = Depth  
 h = Installation height  
 d = Usable depth  
 L = Length  
 HEA = electronically height adjustable  
 HA = height-adjustable  
 UP = Unit of packaging  
 kg = Weight

**Conversion:** 1 inch = 25,4 mm  
 Replace „x“ with the number of your color choice

## Monitor Arms for functional rail

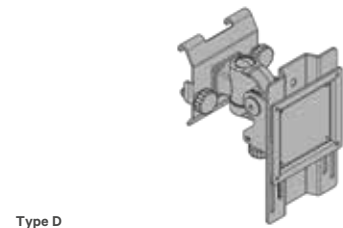
- Monitor arms for mounting flat screens with the 75 and 100 mm VESA mounting
  - With cable management
  - For mounting on the Knürr double function rail
  - Integrated quick-fastening system
- **Supply schedule**
    - 1 flat screen support
    - With integrated height adjustment plate
    - Mounting material
  - **How supplied**
    - Flat-packed kit
- **Type D-G**
    - For mounting on Knürr functional rail. Swivel arms for individual depth adjustment
    - Quick mounting rail adapters
    - Free placement on horizontal double functional rails
  - **Finish / Material Type D-G**
    - Swivel arm: die-cast aluminium
    - Adapter plates: sheet steel
    - Gas spring arm covers: plastic
    - Metal parts: powder-coated, RAL 9006, White aluminum, smooth
    - Gas spring arm housing – type B/C:
    - Plastic, light grey

Model	Height adjustment plate	Load-bearing capacity	Order no.	UP
Type D, short (130 mm)	•	15 Kg	01.316.210.7	1 unit
Type E, medium (130+150 mm)	•	15 Kg	01.316.211.7	1 unit
Type F, long (130+200 mm)	•	15 Kg	01.316.212.7	1 unit
Type G, double joint (130+200+150 mm)	•	15 Kg	01.316.213.7	1 unit
Mounting Adaptor IM-Profile			01.316.214.9	1 unit

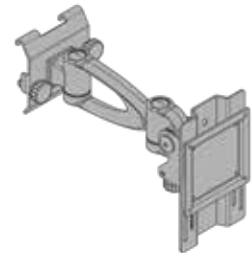


IM Profile Adaptor

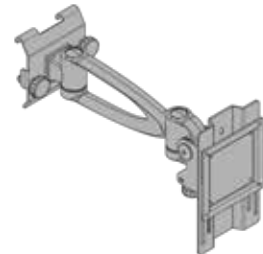
DAA20059



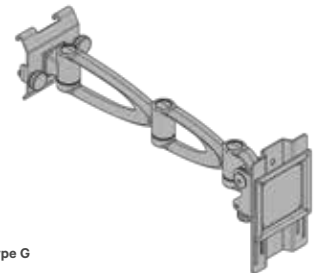
Type D



Type E



Type F



Type G

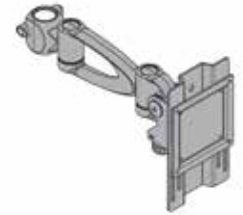
## Monitor Mounts - Tube Mount System

- Flat screen mount for flat screens with VESA bracket 75 and 100 mm
- With integrated cable routing
- **Supply schedule**
  - 1x flat screen mount
  - Type E, F, G with accompanying height compensation plate
  - Mounting material
- **How supplied**
  - Flat-packed kit
- **Type D-G**
  - For mounting on Knürr top screen mounting columns for custom depth and height adjustment
  - Freely selectable mounting position on tabletop thanks to practical clamping system
- **Material/Surface Type D-G**
  - Swivel arms: die-cast aluminum, powder-coated, RAL 9006 White aluminium
  - Adapter: steel panel, powder-coated, smooth, RAL 9006 White aluminium
  - Covers on screen arms: plastic, clear

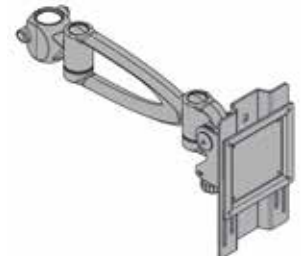
Model	Height compensation plate	Capacity	Order-no.	UP
Type D, for top screen mounting column (short)		15 kg	01.316.250.7	1 unit
Type E, for top screen mounting column (150 mm)	•	15 kg	01.316.251.7	1 unit
Type F, for top screen mounting column (200 mm)	•	15 kg	01.316.252.7	1 unit
Type G, for top screen mounting column (150x200 mm)	•	15 kg	01.316.253.7	1 unit
<hr/>				
Tube mount for IM functional rail H400			01.316.254.9	1 unit
Tube mount for dual function rail H400			01.316.255.9	1 unit
<hr/>				
Tube mount with clamp system (H400)			01.316.231.9	1 unit
Tube mount with clamp system (H700)			01.316.232.9	1 unit
<hr/>				
Tube mount with screw fitting (H400)			01.316.233.9	1 unit
Tube mount with screw fitting (H700)			01.316.234.9	1 unit



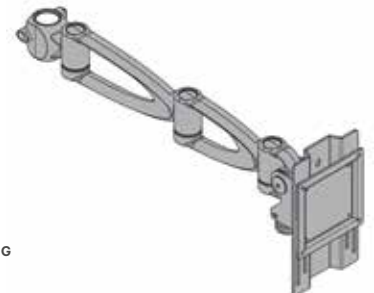
Type D



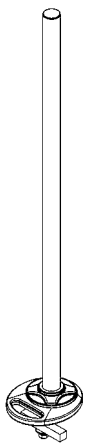
Type E



Type F

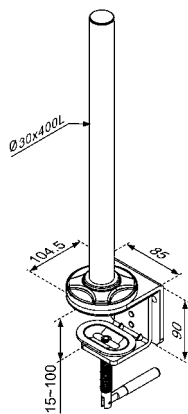


Type G

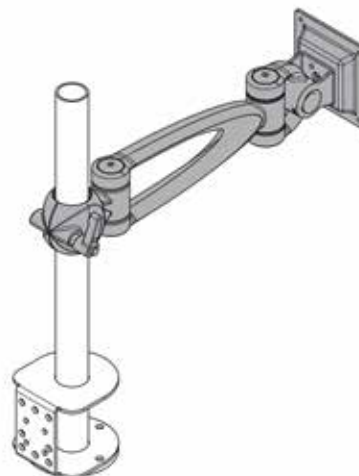


ACC20029

Pipe bracket for screw fitting



Pipe bracket with clamp mount



Pipe bracket for functional rail

## VESA Adapter Plates

- For adapting VESA 100/200 and VESA 200/200 threaded connections to VESA 75 and VESA 100
- Single adapter for monitors up to 12 kg
- Double adapter for monitors up to 24 kg on 2 Vesa 75/100 holders
- **Supply schedule**
  - 1 adapter plate
  - Mounting material
- **How supplied**
  - Flat-packed kit
- **Material**
  - Sheet steel
- **Finish**
  - Powder-coated, RAL 9006, white aluminum



DAC20175



DAC20176

W	H	Model	Order-no.	UP
220	220	Single	01.316.244.9	1 unit
501	250	Double	01.316.245.9	1 unit

## VESA Fast Change Plate

- Quick, tool-less monitor swap-out via spring balancer
- For adapting VESA 75/100 threaded connections
- With height adjustment holes
- Low installation depth – only 15 mm
- **Supply schedule**
  - 1 adapter plate
  - Mounting material
- **How supplied**
  - Flat-packed kit
- **Dimensions**
  - Width 130 mm
  - Height 170 mm
  - Depth 15 mm
- **Material**
  - Sheet steel
- **Finish**
  - Powder-coated, RAL 9006, white aluminum



ERG00040

W	H	D	Order-no.	UP
130	170	15	01.316.239.9	1 unit

## Touchscreen Mount inclinable

- Display holder with integrated and stepless tilt adjustment.
- Inclination angle freely adjustable from 25° - 70° for individual and ergonomic operation of the touch display.
- Simple and flexible positioning on the tabletop.
- Suitable for displays with VESA 75/100 mount.
- **Material**
  - Sheet steel, powder-coated
- **Surface**
  - RAL 7021, dark grey
- **Supply schedule**
  - 1 Touchscreen mount
  - Mounting material
- **How supplied**
  - As Set

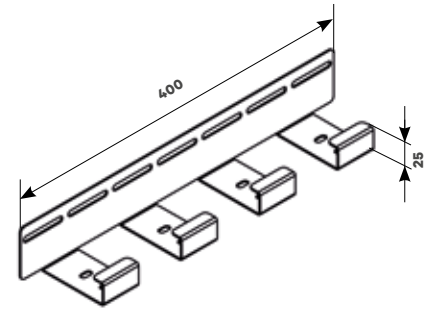


Type	Order-no.	UP
Touchscreen Mount inclinable	04.501.015.9	1 unit

**Dimensions in mm:** W = Width  
H = Height  
D = Depth  
h = Installation height  
d = Usable depth  
L = Length  
HEA = electronically height adjustable  
HA = height-adjustable  
UP = Unit of packaging  
kg = Weight  
**Conversion:** 1 inch = 25,4 mm  
Replace „x“ with the number of your color choice

## Cable Duct Functional Rail 25 mm

- For structured cabling at the monitor level
  - Finger design allows to let out cables exactly where needed
  - Simple, retrofittable installation grace to plastic quick locks
  - 400 mm elements, free placement
- **Material / Finish**
    - Sheetsteel, powder-coated texture, RAL9006
    - Plastic black
  - **Supply schedule**
    - 1 Cable duct segment
    - Mounting material
  - **How supplied**
    - flatpacked
  - **Please note**
    - Please also ask for matching brush strips for dust cover!



DAA20057

W	Type	Model	Order-no.	UP
400	25 mm	Functional rail	04.300.414.9	1 unit

## Accessories for Multi-Functional Rails

- Organizational elements, compatible design for Knürr multi-functional rails
  - 430 mm console – also perfect as telephone stand
- **Supply schedule**
    - 1 Organizational element
  - **How supplied**
    - In batches
  - **Material**
    - Sheet steel
  - **Finish**
    - Powder-coated, RAL9006 White aluminum



Tray console 430 mm

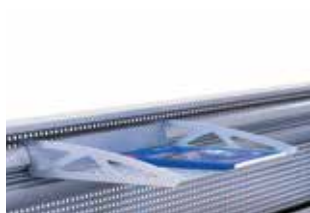
DAC20091

Model	Order no.	UP
Tray shelf DIN A4	04.300.400.9	1 unit
Box with note pad	04.303.103.9	1 unit
Tray shelf DIN A3	04.300.401.9	1 unit
Tray console 430 mm	04.303.106.9	1 unit
Magazine file DIN A4	04.303.110.9	1 unit



Box with note pad

DAC20089



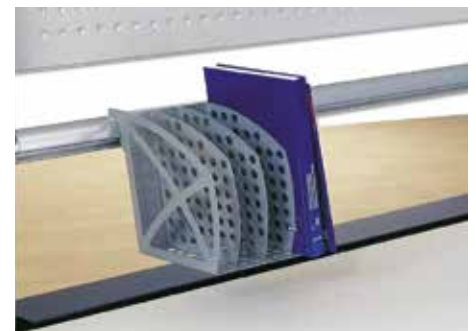
Tray shelf DIN A3

DAC00600



Tray shelf DIN A4

DAC20082



Magazine file DIN A4

DAC20090

## Cable Entry

- Cable entry for additional or retro cable input and output installation
  - Type 1: 183 x 98 mm
  - Type 2: diameter 80 mm
- **Supply schedule**
    - 1 Cable entry, 3-piece

Finish	Model	Order-no.	UP
RAL 7035 light-grey	Type 1	01.350.156.1	1 unit
RAL 7035 light-grey	Type 2	01.350.145.1	1 unit
RAL 9011 graphite black	Type 1	01.350.156.5	1 unit
RAL 9011 graphite black	Type 2	01.350.145.5	1 unit



DAC00447

# WARRANTY & MAINTENANCE PACKAGES

## ESSENTIAL



### SCOPE OF SERVICES:

- **24/7 service hotline** – available at all times for rapid support from our experts
- **Reliable fault rectification** – service call-out within a maximum of 10 working days
- **Replacement parts included** – no additional material costs in the event of a fault

### Knürr® Warranty – ESSENTIAL

Description	Order-nr.
Warranty 24 months (2Y)	94.000.024.0
Warranty 36 months (3Y)	94.000.036.0
Warranty 48 months (4Y)	94.000.048.0
Warranty 60 months (5Y)	94.000.060.0

### Knürr® proactive on-site maintenance

Description	Order-nr.
Maintenance	94.001.000.0
Maintenance with DGUV/V3	94.001.000.0000001
Maintenance with Thermoscan	94.001.000.0000002

\*In accordance with Knürr warranty terms and conditions

## PREMIUM



### SCOPE OF SERVICES:

- **24/7 service hotline** – available at all times for rapid support from our experts
- **Reliable fault rectification** – service call-out within a maximum of 5 working days
- **Replacement parts included** – no additional material costs in the event of a fault
- **On-site repairs included** – travel costs and labour costs are already included in the service package

### Knürr® Warranty – PREMIUM

Description	Order-nr.
Warranty 24 months (2Y)	94.000.024.1
Warranty 36 months (3Y)	94.000.036.1
Warranty 48 months (4Y)	94.000.048.1
Warranty 60 months (5Y)	94.000.060.1
Warranty 72 months (6Y)	94.000.072.1
Warranty 84 months (7Y)	94.000.084.1
Warranty 96 months (8Y)	94.000.096.1
Warranty 108 months (9Y)	94.000.108.1
Warranty 120 months (10Y)	94.000.120.1

## Ergonomically designed products and solutions from a single source

Knürr GmbH is one of the world's leading specialists for innovative solutions in safety- and performance-critical control centres and command rooms. For more than 50 years, the company, headquartered in Germany, has been delivering tailor-made and fully integrated workspace systems designed for demanding 24/7 operations.

Learn more about Knürr solutions and services at [www.knuerr.com](http://www.knuerr.com)

Knürr GmbH  
 Mariakirchener Straße 38  
 94424 Arnstorf  
 Germany  
 T +49 8723 28 0  
 F +49 8723 28 138  
 info@knuerr.com  
 www.knuerr.com



**knürr**  
World of control rooms

**knuerr.com** | **Knürr GmbH**, Mariakirchener Straße 38, 94424 Arnstorf, Germany ID-Nr. DE 363797731

© 2026 Knürr GmbH. All rights reserved. Knürr® and the Knürr logo are trademarks or registered trademarks of Knürr GmbH. All other names and logos referred to are trade names, trademarks or registered trademarks of their respective owners. While every precaution has been taken to ensure accuracy and completeness herein, Knürr GmbH assumes no responsibility, and disclaims all liability, for damages resulting from use of this information or for any errors or omissions. Specifications are subject to change without notice.

09.991.116.0.000001 • EN • #10065 Version 19.03.2026