



**knürr**  
World of control rooms

# CONTROL ROOM SOLUTIONS BOOK

2026 / EN-V1

## Knürr Ergocon® Circular

Knürr Ergocon® 90

Knürr Ergocon® 120

Knürr Ergocon® 150

Knürr Ergocon® 180



### THE ULTIMATE 24/7 CONSOLE FOR CRITICAL APPLICATIONS

**With its four new consoles - Ergocon® 90, Ergocon® 120, Ergocon® 150 and Ergocon® 180 - Knürr offers the latest generation of consoles for demanding 24/7 applications in control rooms and control centres.**

The special circular shape always guarantees even viewing distances to the displays and is perfectly adapted to the latest technologies such as large 32:10 widescreen curved monitors.

Multidimensional adjustment options in three axes (tabletop height, monitor height and viewing distance) ensure the best possible ergonomics.

There are solutions for individual areas of application and perfect integration of equipment through an extensive selection of console models.

In combination with Knürr Ergocontrol, individual adjustment per user is offered. This free-seating concept guarantees efficient workplace ergonomics.

With their many years of experience in the field of mission-critical control centre equipment, Knürr workstation experts design perfectly adapted BOS workstations for fire brigades, rescue services, disaster control, civil defence, police as well as for private security centres.



## Knürr Ergocon® 90

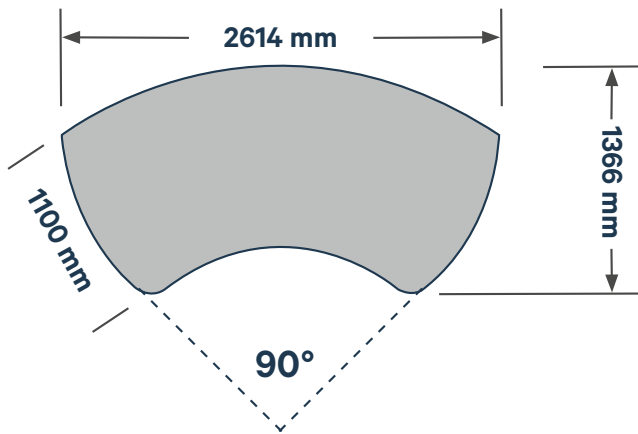


### Dicon integration

- Individually equipable power and data modules for easy connection of IT equipment such as keyboard, mouse, telephone, touch monitor, ...

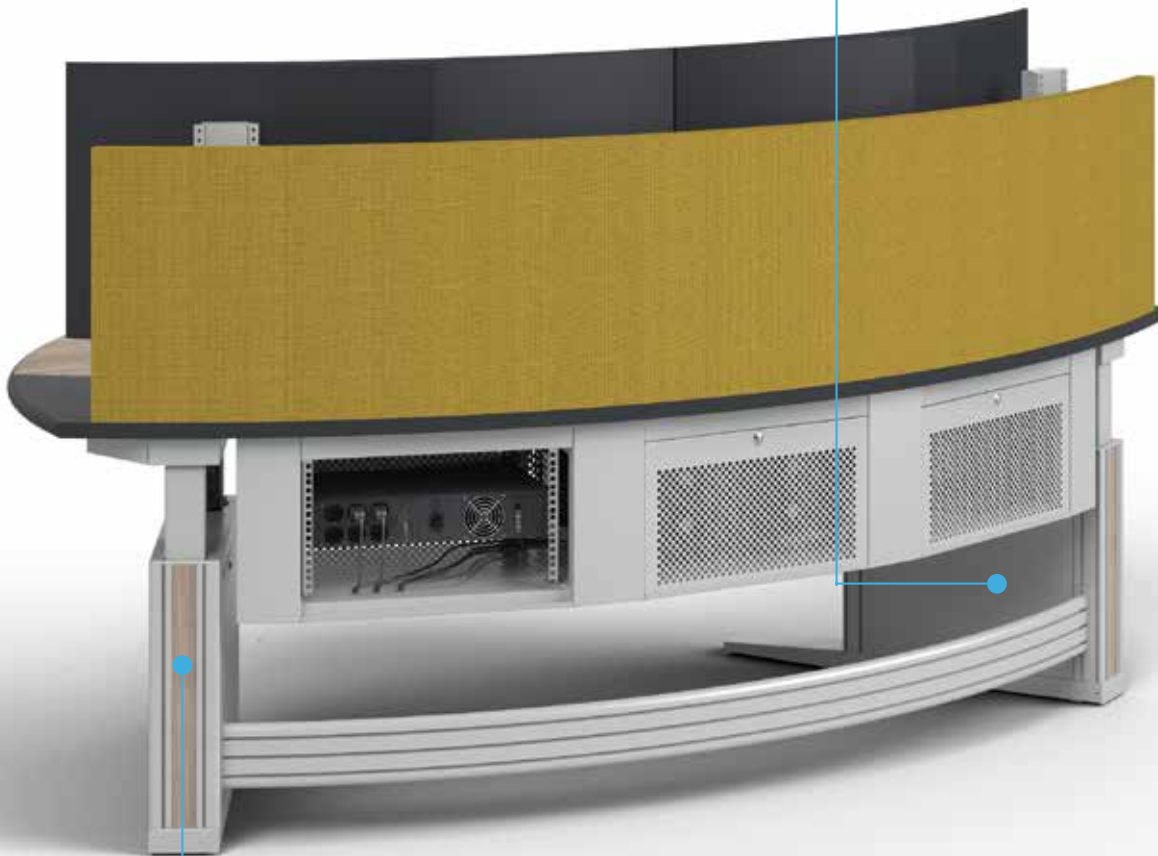
### High quality table tops

- Extremely resistant HPL coating, always in a noble 2-colour finish. In the rear area, it is perfectly matched to the displays with a dark decor.
- With continuous or offset worktop.
- Framed by the ergonomic and robust Knürr® ErgoSoft edge.



**Compliant with standards**

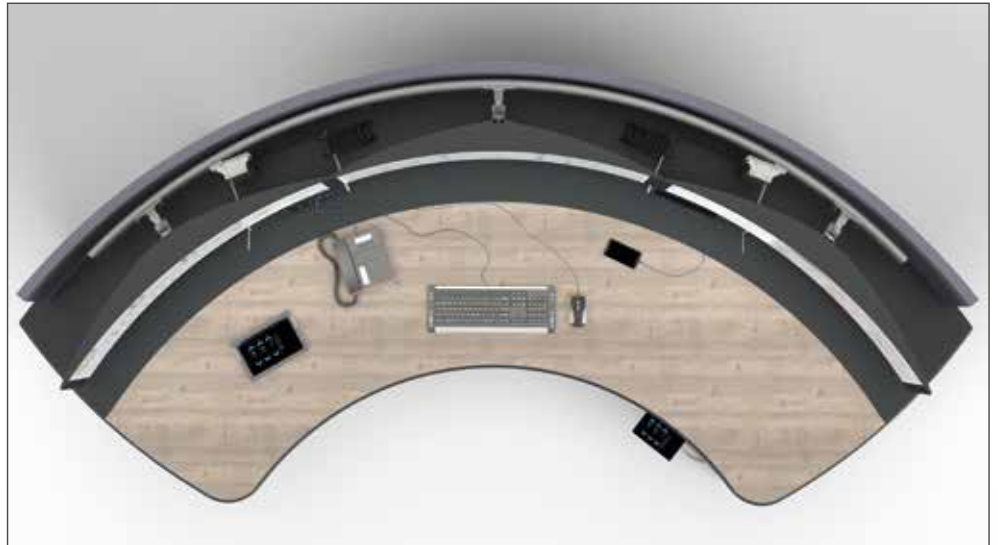
- DIN EN ISO 11064: Ergonomic design of control centres.
- DIN EN 527 defines workstation types with minimum specifications for the adjustment range: Type A: min. 650 to 1,250 mm



**Stability and design**

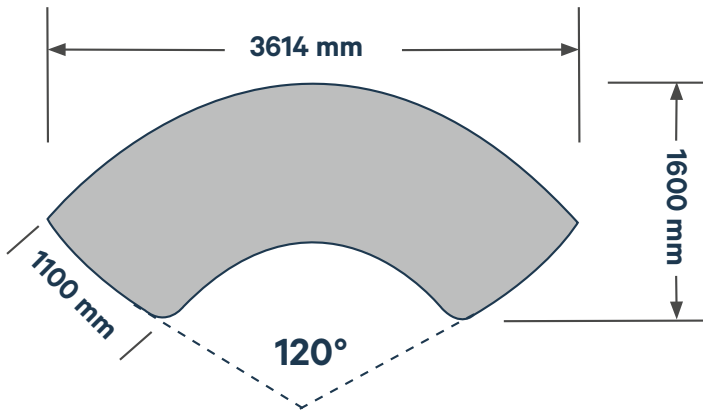
Sturdy C-foot frame for maximum legroom.  
Optional design strips in the extruded aluminium profile for colour individualisation.

## Knürr Ergocon® 120



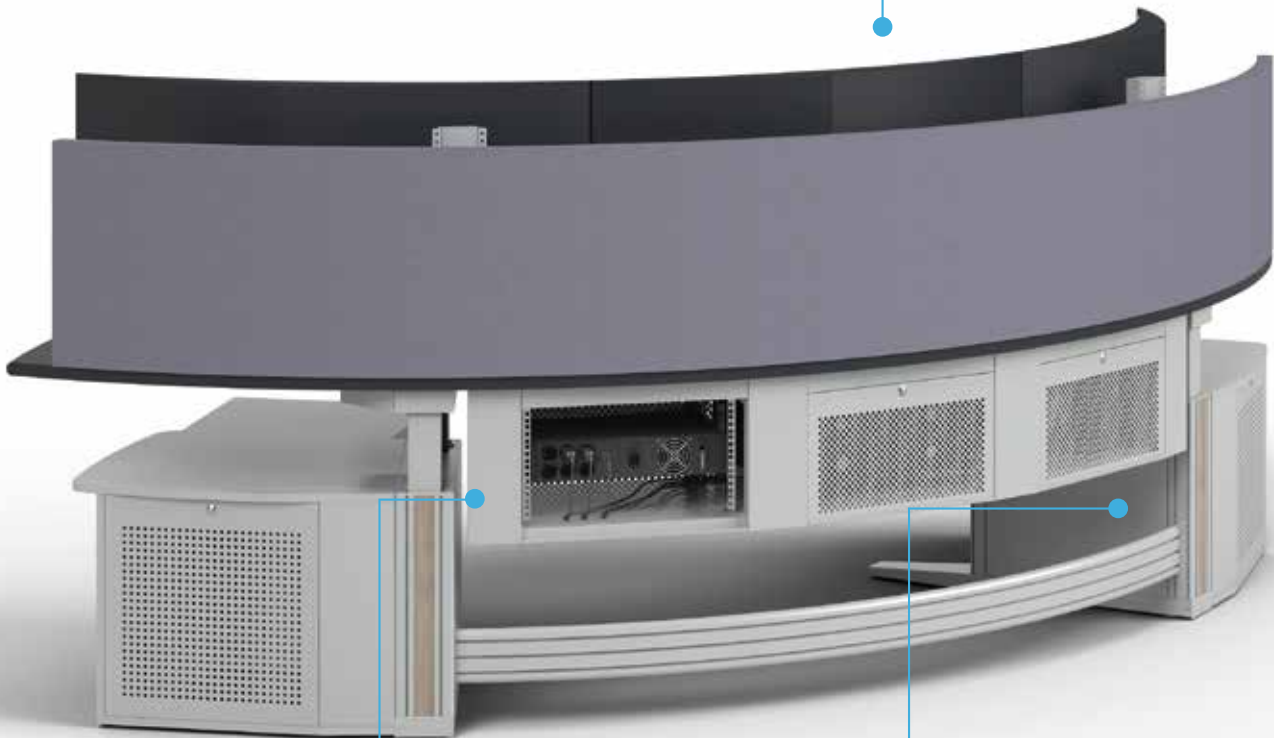
### **Individually expandable with technical containers**

The facility can optionally be supplemented on both sides with 19-inch technology containers. In addition, an office container with a personal docking station (shown on the right) can be added.



**Secure monitor connection**

Maximum flexibility with 1-level and 2-level monitor rails, optionally height and depth adjustable by electric motor.



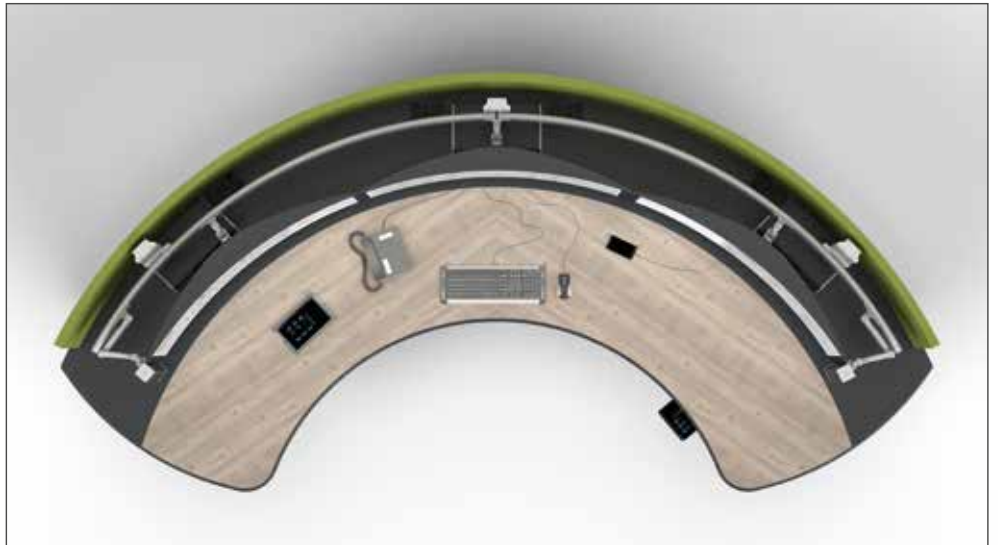
**Integrated passive Ventilation concept**

Guarantees maximum Failure safety of the IT components.

**Intelligent cable routing**

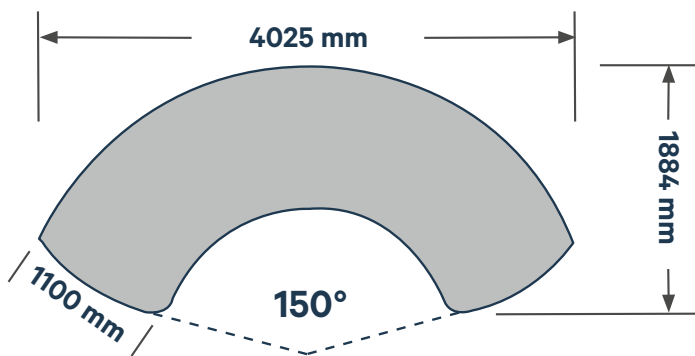
Spacious and concealed vertical cable routing in the side panel, accessible from inside and outside.

## Knürr Ergocon® 150



### Everything in view

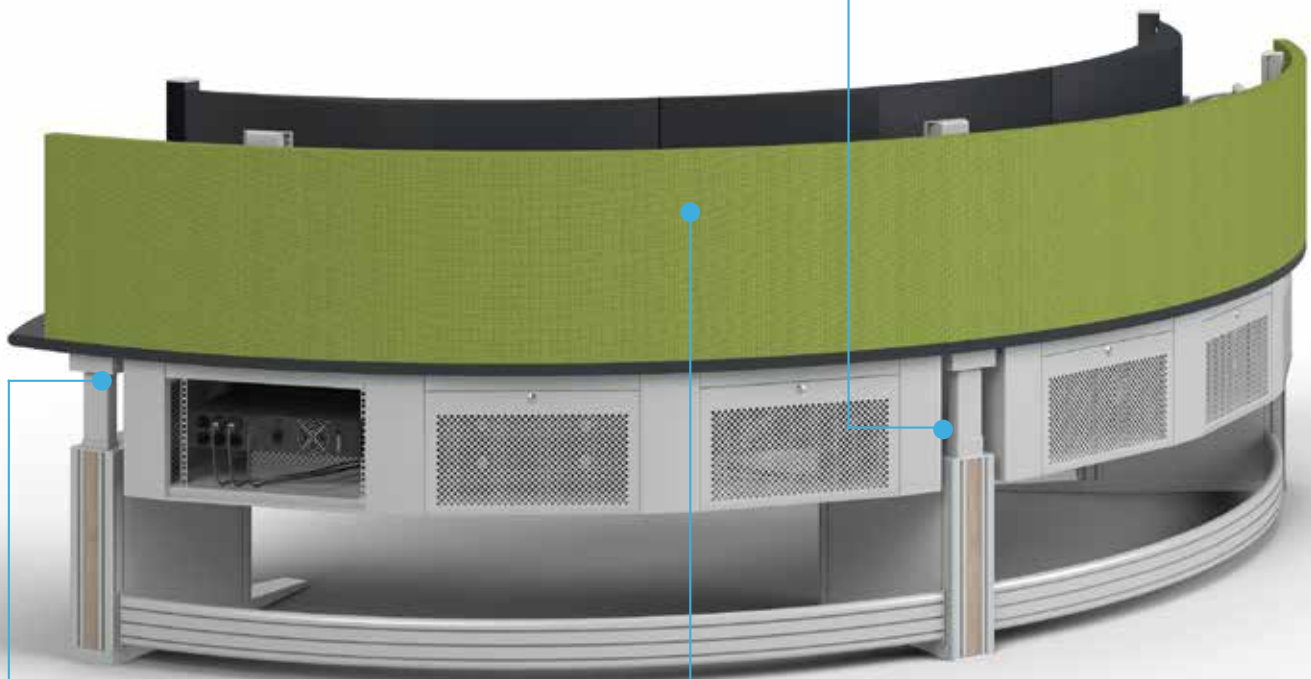
In the special circular design of the console, constant viewing distances to the displays are guaranteed, which makes working even more comfortable.



### Modular Console system

We offer highly individual solutions that are specially adapted to your needs. Our circular Knürr Ergocon® consoles are available in four different sizes:

- Ergocon® 90
- Ergocon® 120
- Ergocon® 150
- Ergocon® 180



### Comfortable height adjustment

The height adjustment of the working and monitor level is particularly easy to handle thanks to the standard memory function. In addition, the Knürr depth adjustment offers the possibility of individually adjusting the viewing distance.

### Acoustics

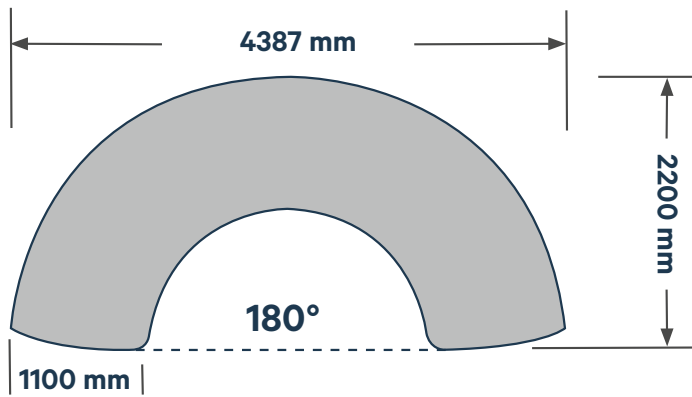
Suitable acoustic packages are available for each size of Ergocon system, which elegantly cover the rear behind the monitors and allow quick access to the technology when needed. These packages offer high acoustic efficiency and thus ensure safe and concentrated operation in the control room as well as in the control centre.

## Knürr Ergocon® 180



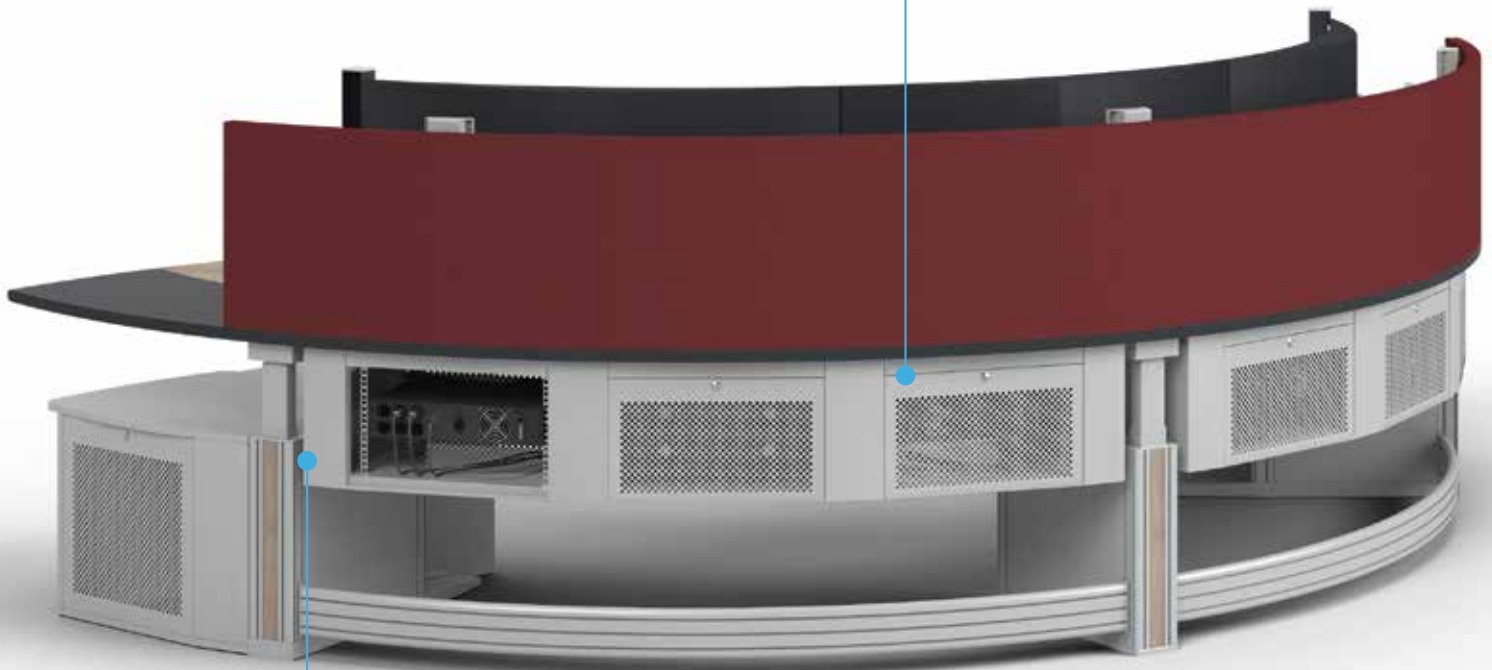
### **Maximum stability**

The circular Knürr Ergocon® system with the „rounded aluminium mould technology“ ensures maximum stability and at the same time has a slim and elegant design.



### Modern colour design

The modern colour design of the Knürr Ergocon® consoles includes a base frame in the colour RAL 9006, white aluminium. The table tops are available in various decors, while optional design strips on the side panels provide additional stylish accents.



### KVM-ready technology substructure

The technology substructure is KVM-capable and offers an installation space of up to 6x6U 19" for the Ergocon 150 and 180 models. This enables perfect integration of KVM switches, SFF PCs, power distributors, cable management systems and many other accessories.

Knürr Ergocon® 90  
Knürr Ergocon® 120  
Knürr Ergocon® 150  
Knürr Ergocon® 180  
Configurator



**The number of possibilities is simply convincing!**

**With the help of the configurable item number, you have access to over 330 variations to create an individual configuration. In addition, you can flexibly expand each console by using accessory modules.**

You have the possibility to customise the perfect console for your requirements. With KVM-ready function and additional 19"

technology containers, table tops are available in a continuous or remote design. Furthermore, you can opt for different monitor levels, up to the 2-row monitor level with depth adjustment and equipped Dicon modules.

With the help of the **Knürr Ergocon® configuration table**, you can put together your own individual console.

**Part no.:**

**04.500.**



Base widths	Tabletop shape	Monitor level	Color
<b>M</b> = Knürr Ergocon® 90 KVM-Ready	<b>2</b> = Curved	<b>0</b> = without	<b>A</b> = RAL 7035
<b>N</b> = Knürr Ergocon® 120 KVM-Ready	<b>3</b> = Curved, bi-level	<b>1</b> = H-Fix single-level	<b>B</b> = Nelson Oak
<b>O</b> = Knürr Ergocon® 150 KVM-Ready		<b>2</b> = H-Fix two-level	<b>C</b> = Pine Black
<b>P</b> = Knürr Ergocon® 180 KVM-Ready		<b>3</b> = H-A single-level	<b>D</b> = Nano Bronzo Doha
		<b>4</b> = H-A two-level	<b>E</b> = Beech
		<b>5</b> = H/D-A single-level	<b>F</b> = Maple
		<b>6</b> = H/D-A two-level	

**Sample configuration** (see image, left):

Worktop angle: 120°, KVM ready, technology substructure  
 Tabletop: curved, single-level  
 Monitor level: height/depth-adjustable, single-level  
 Tabletop color: RAL7035, Light grey



Base widths	Tabletop shape	Monitor level	Color
<b>N</b>	<b>2</b>	<b>5</b>	<b>B</b>



**Configuration number:**

**04.500.N25.B**

## Accessories

Knürr Ergocon® 90

Knürr Ergocon® 120

Knürr Ergocon® 150

Knürr Ergocon® 180

Office container

19" Container

Acoustic walls / Acoustic package

### Office container

- Specially designed for installation in front of the 19" container
  - Open at the rear with connecting elements
  - Narrow top drawer (120mm) with preparation for insert tray / docking compartment
  - Large drawer at the bottom (360mm) with cup holders for 2 1.5L PET bottles
  - Softclose function
- **Material / Surface**
    - Carcase and top panel: Three-layer particle board FP/Y E1 version, fire protection class B2, directly coated RAL9006 white aluminium
    - Drawer tray: lacquered sheet steel
  - **Technical data**
    - Drawer fronts in wood finish and matching decorative colour (to choice)
    - Segment arch handles: Metal
- **Dimensions**
    - Width: 510mm
    - Height: 540mm
    - Depth: 450mm



Office container front

W	H	D	Version	Order-no.	UP
x	x	x	Pedestal Nelson Oak	04.501.095.B	1 unit
x	x	x	Pedestal Pine Black	04.501.095.C	1 unit
x	x	x	Pedestal Beech	04.501.095.E	1 unit
x	x	x	Pedestal Maple	04.501.095.F	1 unit
x	x	x	Pedestal RAL9006 White aluminium	04.501.095.H	1 unit
x	x	x	Insert tray / docking compartment	04.508.395.7	1 unit



19" container back

## 19" Container

- 19" container for side mounting on the Knürr Ergocon® side panel
- Removable perforated rear panel at the front and rear with push-lock (optionally also lockable)
- 2 19" installation frames for horizontal and vertical 19" mounting
- Insertion depth max. 515mm, adjustable in 25mm increments

- **Material / Surface**
  - Carcase and top panel: three-layer particle board FP/Y E1 version, fire protection class B2, directly coated, sheet steel powder-coated, RAL9006 white aluminium
- **Dimensions**
  - Width: 750mm
  - Height: 540mm
  - Depth: 640mm
- **Supply schedule**
  - 1 19" container
  - 2 19" levels for cage nut mounting



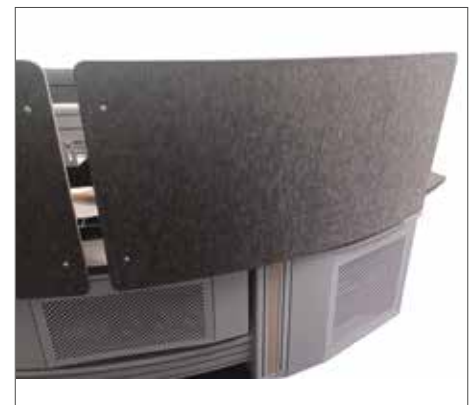
19" container front

Version	Order-no.	UP
19" Container - left	04.501.093.7	1 unit
19" Container - right	04.501.094.7	1 unit

## Acoustic walls / acoustic package

- Sound-absorbing acoustic walls
- Ultra-light design
- Wall thickness 10 mm
- No chemicals (flame retardants, etc.) contained according to DIBt criteria
- **Colour**
  - Dark grey grey (Other colours available on request)
- **Sound absorption coefficient according to DIN EN ISO 354 in the frequencies**
  - 125 Hz as 0,4
  - 250 Hz as 0,18
  - 500 Hz as 0,53
  - 1000 Hz as 0,81
  - 2000 Hz as 0,86
  - 4000 Hz as 0,85
- **Dimensions per module**
  - Width: 1200mm
  - Height: 600mm
- **Supply schedule**
  - 1 set consisting of acoustic walls and holders (see number of modules)

Version	Modules	Order-no.	UP
Acoustic package Ergocon 90	2 Modules	04.303.750.9	1 unit
Acoustic package Ergocon 120	3 Modules	04.303.751.9	1 unit
Acoustic package Ergocon 150	4 Modules	04.303.752.9	1 unit
Acoustic package Ergocon 180	5 Modules	04.303.753.9	1 unit



Acoustic walls / acoustic package

**Dimensions in mm:** W = width  
 H = height  
 D = depth  
 h = installation height  
 t = usable depth  
 L = length

RU = Number of standard height units. 1 RU = 44.45 mm  
 19" = 482.6 mm, (suited to 19" installation acc. to DIN 41494)  
 UP = Unit of packaging  
 kg = weight

**Conversion:** 1 inch = 25.4 mm  
 1 pound = 453.6 g

Replace 'x' with the last digit of your color choice

## Accessories

Flat display mount, decorative panels, and integrated technology

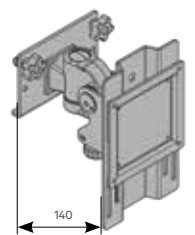


### Flat display mount

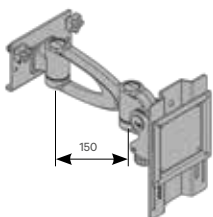
- Flat display mount for displays with VESA mount, 100 mm
  - With integrated cable duct
  - For mounting on Knürr IM function rail
  - Integrated quick-mount system
- **Supply schedule**
    - 1x flat display mount
    - with height compensation plate
    - Fasteners
  - **Material / Surface Type D-G**
    - Swivel arms: Die-cast aluminum, powdered RAL 9006 White aluminium
    - Adapter: Sheet steel powdered smooth, RAL9006 White aluminium
    - Covers on monitor arms: Plastic, clear
  - **How supplied**
    - In sets



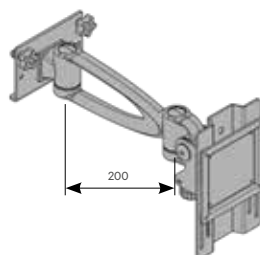
Version	Height compensation plate	Load capacity	Order-no.	UP
Type IM short (140 mm)	•	15 kg	04.501.010.7	1 unit
Type IM medium (140+150 mm)	•	15 kg	04.501.011.7	1 unit
Type IM long (140+200 mm)	•	15 kg	04.501.012.7	1 unit
Type IM double (140+200+150 mm)	•	15 kg	04.501.013.7	1 unit



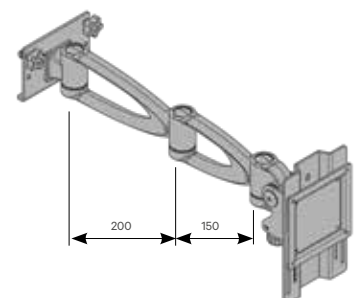
Flat display mount IM short



Flat display mount IM medium



Flat display mount IM long



Flat display mount IM double

## Decorative panels

- For customized design of Ergocon aluminum profiles

- **Supply schedule**
  - 1 decorative panel

Version	Order-no.	UP
RAL7035, Light grey	04.501.004.A	1 unit
Nelson oak wood pattern	04.501.004.B	1 unit
Pine black wood pattern	04.501.004.C	1 unit
Nano bronzo doha	04.501.004.D	1 unit
Beech wood pattern	04.501.004.E	1 unit
Maple wood pattern	04.501.004.F	1 unit
RAL7021, Black grey	04.501.004.G	1 unit



RAL7035, Light grey



Nelson oak wood pattern



Pine black wood pattern



Nano bronzo doha



Beech wood pattern



Maple wood pattern



RAL7021, Black grey



Individual corporate logo

**Dimensions in mm:** W = width  
H = height  
D = depth  
h = installation height  
t = usable depth  
L = length

RU = Number of standard height units. 1 RU = 44.45 mm  
19" = 482.6 mm,  
(suited to 19" installation acc. to DIN 41494)

UP = Unit of packaging  
kg = weight

**Conversion:** 1 inch = 25.4 mm  
1 pound = 453.6 g

Replace 'x' with the last digit of your color choice

## Knürr®-Dicon for multi-function unit

- Suitable for integration in the Ergocon multi-function unit
- Customizable power and data supply unit
- Available in three country versions (DE-Germany, F-France, CH-Switzerland) with two or three power outlets (for CH: one or two)
- Flexible equipping of data module elements using keystone mounts
- **Material/surface**
  - Housing: closed sheet steel profile, galvanized, powder-coated structure
  - Plastic parts: Vampamid 6 0024 VO (UL94), recyclable
  - Center core: continuous power rails, brass
- **Approvals/certificates**
  - CE label in accordance with:
    - Low-voltage guideline 2014/35/EU
    - EMC guideline 2014/30/EU
    - RoHS guideline 2011/65/EU
    - Bureau Veritas BG certificate (factory inspection)
    - Bureau Veritas CB certificate
- **Colors**
  - Housing: RAL 9005 Jet black microstructure
  - Plastic parts: black
- **Load capacity**
  - 100–240 V AC/16 A (Schuko and France)
  - 100–240 V AC/10 A (Switzerland)
- **Supply schedule**
  - 1 power outlet strip
  - 2 fastening brackets

Model	Input values		Input plug	Outputs			Data modules	Part No.
	Voltage	Current		DE Schuko	F UTE	CH Type 13		
4x	230 V	16 A	GST-18	2			2	03.300.022.8
4x	230 V	16 A	GST-18		2		2	03.400.022.8
4x	230 V	16 A	GST-18			1	2	03.701.012.8
4x	230 V	16 A	GST-18			2	1	03.701.021.8



4x unit Schuko



4x unit French (UTE)



4x unit Switzerland (Type 13) with 10 A fuse

## Knürr®-Dicon mounting plates and Keystone modules

Mounting plate simple	03.322.054.8
Mounting plate 1x Keystone	03.322.055.8
Mounting plate 2x Keystone	03.322.056.8
Mounting plate 1x VGA	03.322.057.8
Keystone module USB 3.0	03.322.058.1
Keystone module RJ45 Cat.6A	03.322.059.1
Keystone module HDMI	03.322.060.1
Keystone module AUDIO 3.5 mm 4-pin stereo	03.322.061.1
Keystone module VGA	03.322.062.1

**Version:** Socket – socket for all modules

	USB 3.0	RJ 45	HDMI	Audio	VGA
<b>Mounting plate 1x Keystone</b>	1x	1x	1x	1x	-
<b>Mounting plate 2x Keystone</b>	2x	2x	2x	2x	-
<b>Mounting plate 1x VGA</b>	-	-	-	-	1x



Mounting plate simple



Mounting plate 1x Keystone



Mounting plate 2x Keystone



Mounting plate 1x VGA

## Supply cable for Knürr®-DICON unit

- Network plug CEE/VII - GST 18 socket (Wieland)
- Line H05VV-F3G 1.5 mm<sup>2</sup>
- **Color**
  - White

- **Note**

- Please find further Knürr Dicon versions for worktop integration on page 207.

L	Order-no.	UP
2.0 m	04.000.040.0	1 unit
5.0 m	04.000.041.0	1 unit



DOS00467

## Data transfer point RJ45

- Suited for the installation of up to five RJ45 keystone elements.
- For simple attachment in Ergocon side compartment.
- **Material/surface**
  - Sheet steel, powder-coated RAL9006, White aluminium

- **Supply schedule**

- 1x mounting bracket with fasteners

- **How supplied**

- In sets

- **Note**

- Please order the accompanying Keystone elements separately.

Version	Order-no.	UP
Data transfer point	04.501.035.7	1 unit
Keystone module RJ45 Cat.6A	03.322.059.1	1 unit



## Support bracket for power distributor

- Suitable for installation of max. 2 Knürr® 19" DI strip PDUs or a power distributor box.
- For simple attachment in Ergocon side compartment.
- **Material/surface**
  - Sheet steel, powder-coated RAL9006, White aluminium

- **Supply schedule**

- 1x support bracket with fasteners

- **How supplied**

- In sets

- **Note**

- Please order power distribution units separately.

Version	Order-no.	UP
Support bracket	04.501.036.7	1 unit



**Dimensions in mm:** W = width  
H = height  
D = depth  
h = installation height  
t = usable depth  
L = length

RU = Number of standard height units, 1 RU = 44.45 mm  
19" = 482.6 mm,  
(suited to 19" installation acc. to DIN 41494)  
UP = Unit of packaging  
kg = weight

**Conversion:** 1 inch = 25.4 mm  
1 pound = 453.6 g

Replace 'x' with the last digit of your color choice

## Accessories

Suitable for consoles with workstation technology cabinet in base!

### 19" Mounting-Set 6 RU

- Suitable for consoles with workstation technology cabinet in base
- Space saving installation of 19" equipment like patch panels, switches or socket strips
- Assembly of equipment on 19" profile using hole matrix and cage nuts
- **Material**
  - Sheet steel, powder-coated
- **Supply schedule**
  - 1x 19" Mounting-Set 6 RU
  - Mounting material
- **How supplied**
  - In sets
- **Note**
  - Please order suitable fastening materials for 19" components separately.



Version	Order-no.	UP
19" Mounting-Set, 6 RU	04.501.039.7	1 unit

### 19" swivel frame, 4 RU

- Suitable for consoles with workstation technology cabinet in base
- Attachment for 19" swivel frame on the floor frame of the technology cabinet in the workstation base using depth members
- Assembly of equipment on 19" profile using hole matrix and cage nuts
- **Material/surface**
  - Sheet steel, powder-coated, RAL7021, Black grey
- **Supply schedule**
  - 1x 19" frame
- **How supplied**
  - Pre-mounted
- **Note**
  - Please order suitable fastening materials for 19" components separately.



Version	Order-no.	UP
19" swivel frame, 4 RU	04.501.040.8	1 unit

## Extension Module for workstation technology cabinet

- Suitable for consoles with workstation technology cabinet in base.
- Extension of workstation technology cabinet by 200mm in depth to create space for equipment with larger depth.
- **Material**
  - Sheet steel, powder-coated
- **Surface**
  - RAL9006, White Aluminum
- **Supply schedule**
  - 1 Extension module
  - Mounting material
- **How supplied**
  - In sets

Version	Order-no.	UP
Extension module 200mm W1400	04.501.070.7	1 unit
Extension module 200mm W1800	04.501.071.7	1 unit
Extension module 200mm W2200	04.501.072.7	1 unit



## Cable bridge

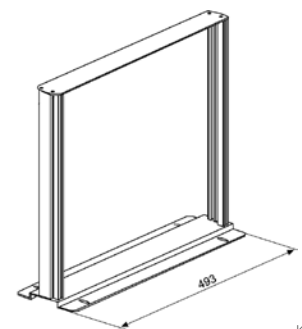
- Suitable for consoles with technology cabinet in workstation base
- **Material**
  - Cable bridge, steel, coated
- **Supply schedule**
  - 1x cable bridge with fasteners
- **How supplied**
  - In sets
- **Dimensions**
  - Height 60 mm, depth 60 mm length fits to technology cabinet in the base

Version	Order-no.	UP
For base width 1400 mm	04.501.030.9	1 unit
For base width 1800 mm	04.501.031.9	1 unit
For base width 2200 mm	04.501.032.9	1 unit



## 19" frame, 8 RU

- Suitable for consoles with technology cabinet in workstation base
- 19" frame for attachment of 19" components and mounting plates
- Attachment of 19" frame on the floor frame of the technology cabinet in the workstation base using depth members, thereby adjustable
- Mounting equipment on 19" profile using t-slots and speed nuts, thereby allowing infinite height adjustment
- **Material**
  - 19" adapter plate and frame cover made of sheet steel (powder-coated structure)
  - 19" profile made of extruded aluminum, blank
- **Surface**
  - Adapter plate RAL 9011, Graphite black
- **Supply schedule**
  - 1 adapter plate
  - 1 frame cover
  - 2 depth members
  - 2 19" profiles
- **How supplied**
  - Pre-mounted
- **Dimensions**
  - Please order suitable fastening materials for 19" components with order (see page 183).



KON20032

Version	Order-no.	UP
19" frame, 8 RU	04.412.650.7	1 unit

**Dimensions in mm:** W = width  
H = height  
D = depth  
h = installation height  
t = usable depth  
L = length

RU = Number of standard height units, 1 RU = 44.45 mm  
19" = 482.6 mm, (suited to 19" installation acc. to DIN 41494)  
UP = Unit of packaging  
kg = weight

**Conversion:** 1 inch = 25.4 mm  
1 pound = 453.6 g

Replace 'x' with the last digit of your color choice

## 19" accessories

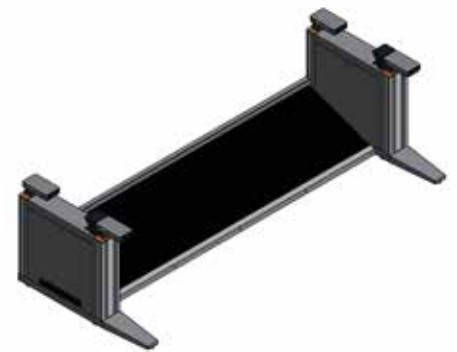
Suitable for consoles with KVM-ready technology cabinet!



### Folding footrest for Knürr Ergocon

- Suitable for Ergocon console with installer module or KVM Ready technology substructure
- Optimal ergonomic supplement for even more comfortable work
- Hinged version with lateral cable entry into the side panels
- Additional 19" area (up to 3x 1U) below the footrest for installing e.g. patch panels, switches, etc.
- Locking option for service position

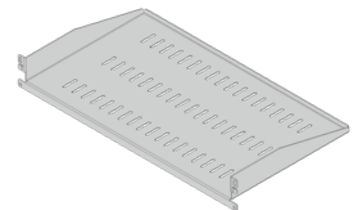
- **Supply schedule**
  - 1 footrest
  - 2 side covers



Version	Order-no.	UP
Footrest W1400 foldable	04.501.180.7	1 unit
Footrest W1800 foldable	04.501.181.7	1 unit
Footrest W2200 foldable	04.501.182.7	1 unit
Footrest 2x W1400 curved 20° foldable	04.501.183.7	1 unit

### 19" shelf, 1RU

- For mounting in the 19" KVM Ready technology substructure or also in the installation module
- Mounting material included
- **Material**
  - Sheet steel 1.5 mm
- **Load capacity**
  - 20 kg static
- **Supply schedule**
  - 1 shelf
  - Mounting material



W	H	W x L	Version	Order-no.	UP
482.6	50	442 x 260	RAL7035 Light grey	04.501.038.1	1 unit
482.6	50	442 x 260	RAL7021 Black grey	04.501.038.8	1 unit

## 19" cable routing plate, 1 RU

- For orderly cable routing.
- **Material/surface**
  - Type 1: Front plate sheet steel 1.5 mm, powder-coated.
- **Color**
  - RAL 7035 Light grey
- **Outer dimensions**
  - **Cable routing:**
    - Type 1: 55 x 22 mm, plastic
- **Supply schedule**
  - 1 19" front plate
  - 5 cable routers
- **How supplied**
  - Pre-mounted
- **Note**
  - When ordering, please also order suitable front plate fasteners

W	RU	Mount depth	Version	Order-no.	UP
483	1	from 80 mm	Type 1	05.040.111.1	1 unit



Type 1

MEC00110



Type 1

MEC20103

## Fillister head screw

- IEC DIN 967
- **Supply schedule**
  - 50 fillister head screws, Form Z
- **How supplied**
  - In sets

W	H	D	Version	Order-no.	UP
			M5 x 10	05.041.330.9	1 set
			M5 x 16	05.041.331.9	1 set
			M6 x 10	05.041.332.9	1 set
			M6 x 16	05.041.333.9	1 set



MEC20140

## Cage nuts

- Clips into profiles with hole matrix
- **Supply schedule**
  - 50 cage nuts, sheet metal, 1.5mm
- **How supplied**
  - In sets

Version	Order-no.	UP
M5: sheet metal, 1.5 mm	05.041.513.7	1 set
M6: sheet metal, 1.5 mm	05.041.514.7	1 set



MEC20139

## Link-up container and link-up duct

### Knürr Ergocon® Link-up container

- Basic body of link-up container with storage compartment H150mm and garage for Ergocon mobile drawer unit
  - Generous technical module with 19" frame in the rear area
  - Removable perforated rear panel (optionally lockable or with push lock)
  - Link-up duct on both sides for lateral connection to the Knürr Ergocon® console for optimised cabling
  - Removable top cover on link-up ducts for best accessibility
  - Free-form table top with high-quality HPL coating and all-round ABS edge banding
- **Material**
    - Link-up container:
      - Basic body: Wooden corpus, coated
      - Tabletop: HPL coated with ABS edging
    - Removable rear panel
    - Sheet steel, powder coated
  - **Surface**
    - Basic body, rear panel and link-up ducts completely in RAL9006, White Aluminum
    - Tabletop .A in RAL7035, Light Grey, ABS edging in black (Different tabletop colors are available to match the console design)
  - **Supply schedule**
    - 1 Link-up container
    - 1 Tabletop
    - 2 Link-up ducts
  - **How supplied**
    - Pre-mounted.
  - **Note**
    - The overall dimensions, the tabletop shape and the tabletop colour vary depending on the project.
    - Please order suitable roller containers or shelves separately.

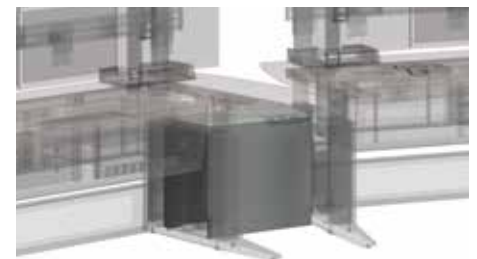
Version	Order-no.	UP
Link-up container 1 module 20° convex	04.501.080.A	1 unit
Link-up container 2 modules 20° convex	04.501.081.A	1 unit
Storage shelf for link-up container	04.501.085.7	1 unit



### Knürr Ergocon® Link-up duct

- Link-up duct for connection of two Knürr Ergocon® consoles.
  - Removable top cover on link-up ducts for best accessibility and optimised cabling
- **Material**
    - Cover panels: Wooden elements, coated
    - Mounting brackets: sheet steel, powder coated
  - **Surface**
    - RAL 9006, White Aluminum
- **Dimensions**
    - Project specific
  - **Supply schedule**
    - 1 Link-up duct
    - Mounting Material
  - **How supplied**
    - In sets

Version	Order-no.	UP
Link-up duct, straight version	04.501.090.7	1 unit
Link-up duct, 20° convex version	04.501.091.7	1 unit



**Dimensions in mm:** W = width  
 H = height  
 D = depth  
 h = installation height  
 t = usable depth  
 L = length

RU = Number of standard height units, 1 RU = 44,45 mm  
 19" = 482,6 mm,  
 (suited to 19" installation acc. to DIN 41494)  
 UP = Unit of packaging  
 kg = weight

**Conversion:** 1 inch = 25,4 mm  
 1 pound = 453,6 g  
 Replace 'x' with the last digit of your color choice

# WARRANTY & MAINTENANCE PACKAGES

## ESSENTIAL



### SCOPE OF SERVICES:

- **24/7 service hotline** – available at all times for rapid support from our experts
- **Reliable fault rectification** – service call-out within a maximum of 10 working days
- **Replacement parts included** – no additional material costs in the event of a fault

### Knürr® Warranty – ESSENTIAL

Description	Order-nr.
Warranty 24 months (2Y)	94.000.024.0
Warranty 36 months (3Y)	94.000.036.0
Warranty 48 months (4Y)	94.000.048.0
Warranty 60 months (5Y)	94.000.060.0

### Knürr® proactive on-site maintenance

Description	Order-nr.
Maintenance	94.001.000.0
Maintenance with DGUV/V3	94.001.000.0000001
Maintenance with Thermoscan	94.001.000.0000002

\*In accordance with Knürr warranty terms and conditions

## PREMIUM



### SCOPE OF SERVICES:

- **24/7 service hotline** – available at all times for rapid support from our experts
- **Reliable fault rectification** – service call-out within a maximum of 5 working days
- **Replacement parts included** – no additional material costs in the event of a fault
- **On-site repairs included** – travel costs and labour costs are already included in the service package

### Knürr® Warranty – PREMIUM

Description	Order-nr.
Warranty 24 months (2Y)	94.000.024.1
Warranty 36 months (3Y)	94.000.036.1
Warranty 48 months (4Y)	94.000.048.1
Warranty 60 months (5Y)	94.000.060.1
Warranty 72 months (6Y)	94.000.072.1
Warranty 84 months (7Y)	94.000.084.1
Warranty 96 months (8Y)	94.000.096.1
Warranty 108 months (9Y)	94.000.108.1
Warranty 120 months (10Y)	94.000.120.1

## Ergonomically designed products and solutions from a single source

Knürr GmbH is one of the world's leading specialists for innovative solutions in safety- and performance-critical control centres and command rooms. For more than 50 years, the company, headquartered in Germany, has been delivering tailor-made and fully integrated workspace systems designed for demanding 24/7 operations.

Learn more about Knürr solutions and services at [www.knuerr.com](http://www.knuerr.com)

Knürr GmbH  
 Mariakirchener Straße 38  
 94424 Arnstorf  
 Germany  
 T +49 8723 28 0  
 F +49 8723 28 138  
 info@knuerr.com  
 www.knuerr.com



**knürr**  
World of control rooms

**knuerr.com** | **Knürr GmbH**, Mariakirchener Straße 38, 94424 Arnstorf, Germany ID-Nr. DE 363797731

© 2026 Knürr GmbH. All rights reserved. Knürr® and the Knürr logo are trademarks or registered trademarks of Knürr GmbH. All other names and logos referred to are trade names, trademarks or registered trademarks of their respective owners. While every precaution has been taken to ensure accuracy and completeness herein, Knürr GmbH assumes no responsibility, and disclaims all liability, for damages resulting from use of this information or for any errors or omissions. Specifications are subject to change without notice.

09.991.116.0.000001 • EN • #10065 Version 19.03.2026